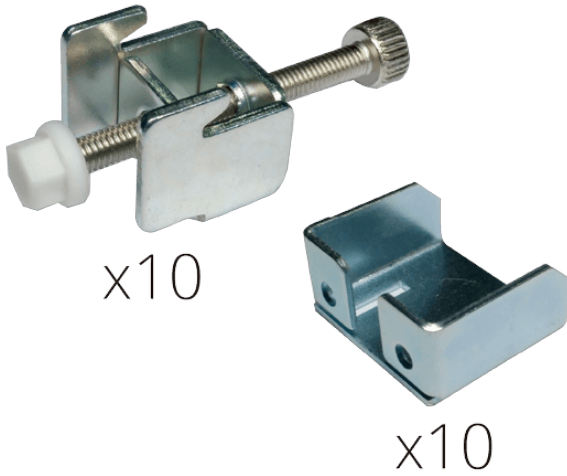


FPK-02

A set of Panel Mounting Kit is composed of a clamp and screw

Features

Panel Mounting Kit



Specifications

| | |
|--------------|------------------------------|
| Dimensions | |
| Dimensions | 222 x 432 x 252 mm |
| Material | |
| Material | SPCC |
| Weight | |
| Weight | 3.12 Kg |
| Key Features | |
| Key Features | 12 mounting kits for DM-F24A |

Ordering Information

| | |
|------------|--|
| FPK-02-R10 | DM-F22A panel mount kit, silver color, R10 |
|------------|--|