

12.1"/15" Desktop Computer PC



Fanless

AFL-15A-LXPOS

AFL-12B-LXPOS AFL-15A-LXPOS

Streamline System
with Stand Base

- 12.1"/15" space saving all-in-one touch panel PC
- Fanless design integrated with AMD Geode™ LX platform
- Built-in Wifi module for remote access
- 2 x RS-232 COM ports with RI, 5V or 12V selectable
- 1 x RJ-12 with 12V to connect to cash drawer
- LED indicators with powered COM ports
- Optional Magnetic Stripe Readers (MSRs) or Hybrid Card Reader
- Removable base
- VESA mounting options
- IP 64 front panel design perfect for long working hours



Fanless

AFL-12B-LXPOS



1. High Reliability Desktop PC

■ Low Power and Fanless System

The AMD Geode™ LX 800 processor generates a low amount of heat. AFOLUX POS models maintain above-average performance through a fanless system. Fanless design means less down time and an extended operational life by eliminating the chance of overheating problems due to fan failures.

■ IP 64 Front Panel Compliance

The AFOLUX front panel is IP 64 compliant. IP 64 compliance guarantees that the front panel is dustproof and water-proof.

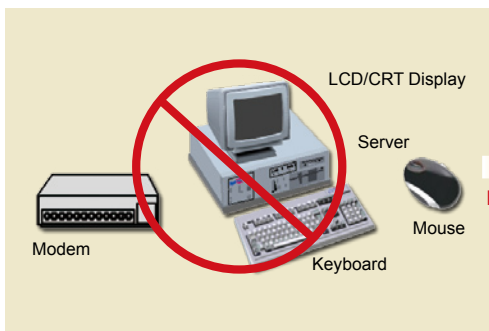
■ Space-saving All-in-One System

Heat Conduction

Heat Convection

Benefits

- Less down time
- Extends operational lifetimes by eliminating the chance of overheating problems fan failure
- Reduces maintenance costs



Traditional systems require peripherals which take up space



The all-in-one system has a more simple and appealing appearance which saves space

2. Streamlined System with Stand Base



Keeps the system steady during operation at the desk or on the move

Optional Stand Base



STAND-POS12
(for AFL-12B-LXPOS)



STAND-POS15
(for AFL-15A(E)-LXPOS)

Strong aluminum Base Keeps the System in Place

The desktop stand consists of ADC12 which is a kind of aluminum-alloy die castings, strong enough to hold the AFL-12B-LXPOS/AFL-15A-LXPOS in place..

Fits any 12.1" or 15" AFOLUX PPC and Monitor

Anti-scratch Surface



At the desk



On the move



On the cash drawer



Rear Cable Management

Rear cable management makes it easy to route cords from the screen to base of stand, while conveniently kept out of view.

3. Flexible in Peripheral Connection



Two RS-232 Connectors with Selectable RI/5V/12V

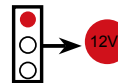


Convenient jumper setting in front of the rear

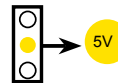
Since the peripherals require a +5V/+12VDC RS-232 connection, set the corresponding I/O COM port voltage output on pin-9 to +5V/+12V using the convenient switch located on the rear.



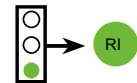
LED indicator for identifying power selected by jumper



LED is red:
The pin 9 signal on the RS-232 connector is set as 12V



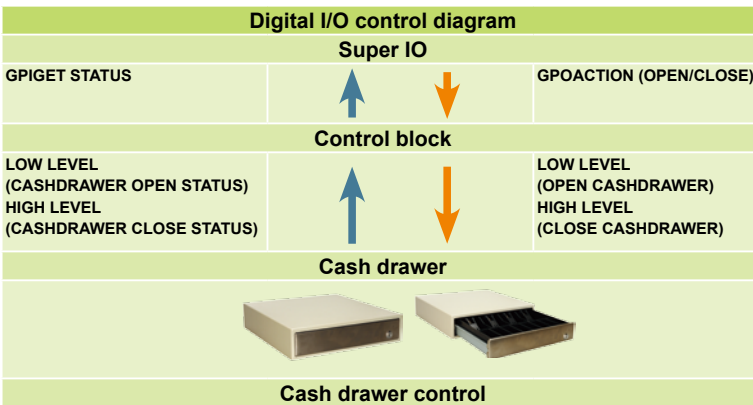
LED is yellow:
The pin 9 signal on the RS-232 connector is set as 5V



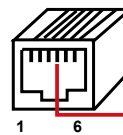
LED is green:
The pin 9 signal on the RS-232 connector is set as RI (ring indicator)

Cash Drawer Port via RJ-12 with 12 V Power

The AFOLUX POS is equipped with a digital I/O RJ-12 12 V port that provides an extension for peripherals such as a cash drawer device.

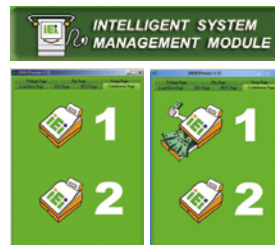


Cash drawer RJ-12 pin assignments



Pin	Assignment
1	Ground
2	CASH_1 (Digital Out Programmable)
3	Digital IN
4	+12 V
5	NC
6	Ground

IEI iSMM cash drawer status monitoring

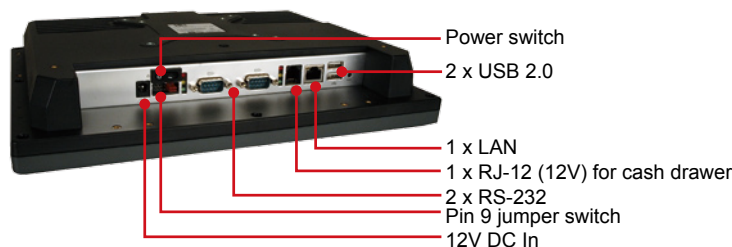


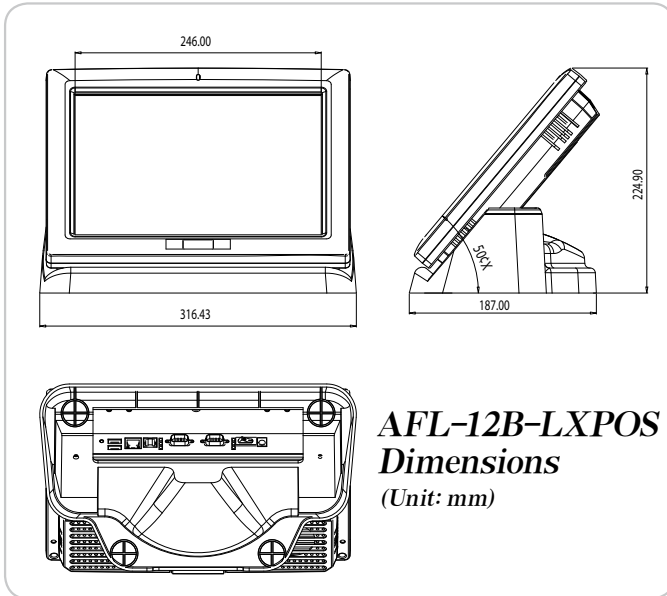
IEI also makes it quick and easy to develop cash drawer application for your new POS program



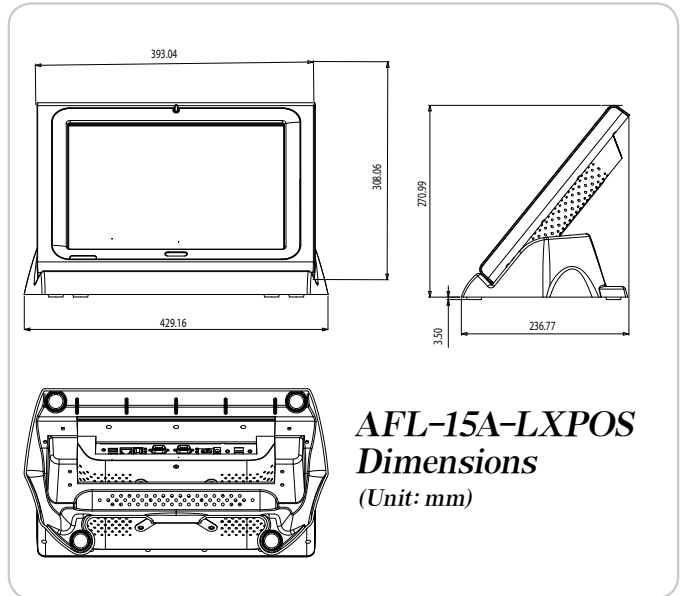
Specifications

Model Name	AFL-12B-LXPOS	AFL-15A(E)-LXPOS
Mainboard	AFLMB-LXPOS	
CPU	AMD Geode™ LX 800 (500MHz)	
Chipset	AMD Geode™ LX 800+ AMD Geode™ CS5536	
Memory	Supports one 1GB (maximum) 333MHz or 400MHz SO-DIMM	
LCD/Touch Panel		
LCD Size	12.1" TFT LCD	15" TFT LCD
Max Resolution	800 x 600 or 1024 x 768	1024 x 768
Brightness (cd/m ²)	350 or 450	350 or 250
Contrast Ratio	500:1 or 700:1	700:1
LCD Color	262K	
Pixel Pitch (mm)	0.3075 (H) x 0.3075 (V) or 0.240 (H) x 0.240 (V)	0.297 (H) x 0.297 (V)
Viewing Angle (H-V)	140 (H) / 120 (V) or 160 (H) / 160 (V)	140 (H) / 125 (V) or 160 (H) / 160 (V)
Backlight MTBF	50000 hrs	
Touch Screen Type	Resistive Type 5-Wire	
Metal Housing		
Housing Material	ABS + PC plastic front frame	
IP Level	IP 64 in front	
Front Panel Color	Gray	Silver
Storage		
HDD	1 x 2.5" HDD bay with anti-shock	
SSD	CF Type II	
Expansion		
Mini PCI Slot	1x mini-PCI slot (for build-in wireless 802.11 b/g module)	
External I/O Ports		
USB	2 x USB 2.0	
Serial/COM	2 x RS-232 COM Port (pin 9 with RI , 5V or 12V switch selectable) With LED Indicator (12V--Red / 5V--Yellow / RI--Green)	
LAN (10/100Mbps)	1 x RJ-45	
Cash Drawer Port	1 x RJ-12 (12V)	
DC Jack	1 x DC Jack	
	1 x Power Switch	
Power LED	1 x Reset Button	
	1 x Power LED in front panel	
Audio		
Built-in Speaker	AMP 1.5W+AMP 1.5W	
Power		
Power Adapter	Power: 48W Input: 90VAC~264VAC @ 50/60Hz Output: 12VDC	Power: 60W Input: 90VAC~264VAC @ 50/60Hz Output: 12VDC
Peripheral		
MSR	Magnetic Card Reader (USB interface) (optional)	
MSI	Magnetic Card, Smart Card, Dallas iButton (USB interface) (optional)	
Cash Drawer	RJ-12 (12VDC) interface (optional)	
Bar Code Reader	Hand-held Laser Scanner (USB interface) (optional)	
Environment		
EMC and Safety	CE,FCC,CCC,UL,CB	
Operating Temperature	0°C~50°C	
Storage Temperature	-20°C~60°C	
Dimensions (WxHxD) (mm)	304 x 246 x 49.5	394 x 309 x 61
Mounting	Panel, Wall, Stand VESA 75mm x 75mm / 100 x 100mm	
Net Weight	1.8 Kg	3.2 Kg
Power Consumption	29W	38W
OS Support	Windows XPE, Windows CE 5.0 or Windows CE 6.0 (optional)	
Watchdog Timer	Software programmable supports 1~255 sec. system reset	

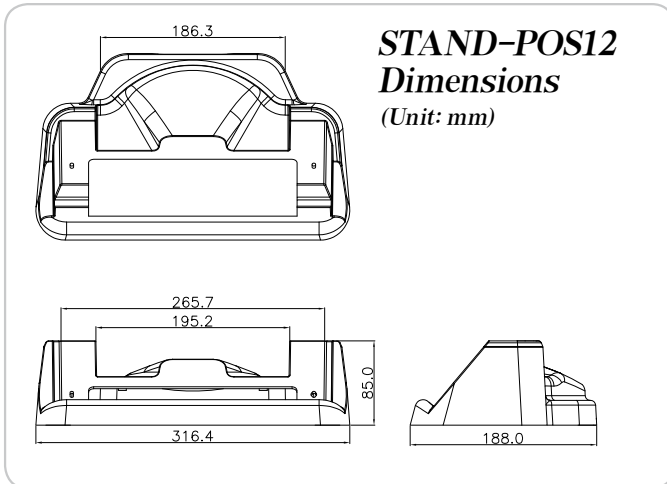




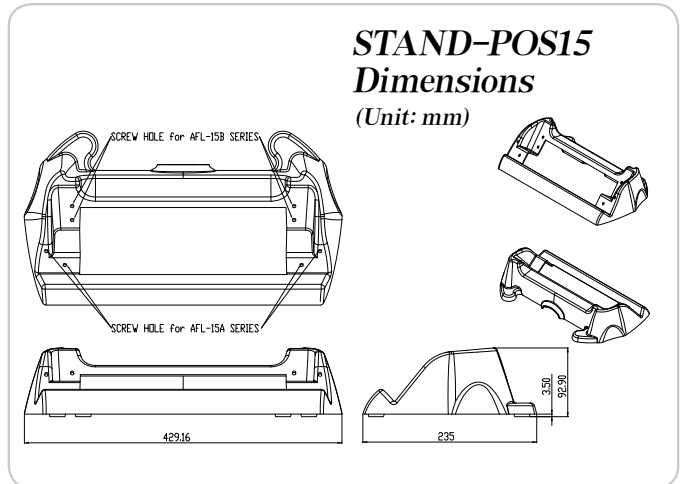
AFL-12B-LXPOS
Dimensions
(Unit: mm)



AFL-15A-LXPOS
Dimensions
(Unit: mm)



STAND-POS12
Dimensions
(Unit: mm)



STAND-POS15
Dimensions
(Unit: mm)

Ordering Information

Model	Description
AFL-12BS-LXPOS/WT-R/256MB-R21	12.1" 350 cd/m ² SVGA fanless PPC with AMD Geode™ LX 800 CPU, 256MB DDR RAM, 802.11 b/g wireless module and touch screen, without stand, R21, RoHS
AFL-12BX-LXPOS/WT-R/256MB-R21	12.1" 450 cd/m ² XGA fanless PPC with AMD Geode™ LX 800 CPU, 256MB DDR RAM, 802.11 b/g wireless module and touch screen, without stand, R21, RoHS
AFL-15A-LXPOS/WT-R/256MB-R21	15" 350 cd/m ² XGA fanless PPC with AMD Geode™ LX 800 CPU, 256MB DDR RAM, 802.11 b/g wireless module and touch screen, without stand, R21, RoHS

Options

	AFL-12B-LXPOS	AFL-15A-LXPOS
POS Stand	STAND-POS12	STAND-POS15
LCD Stand	STAND-A12	STAND-A19 / STAND-B19
Wall Mount Kit	AFLWK-19	
Panel Mounting Kit	AFLPK-12	AFLPK-15
Cash Drawer	AFLP-CW01-12V (RJ-12 interface with white color) AFLP-CB01-12V (RJ-12 interface with black color)	
Bar Code Reader	AFLP-BRW01-U (USB interface with white color) AFLP-BRB01-U (USB interface with black color)	
MSR (Magnetic Stripe Reader)	AFLP-12BMSI-U	AFLP-17AMSR-U
MSI (Magnetic Card/Smart Card/Dallas iButton)	AFLP-12BMSI-U	AFLP-17AMSI-U
Thermal Printer	AFLP-TPW01 (RS-232 interface with white color) AFLP-TPB01 (RS-232 interface with black color)	
Customer Display	AFLP-CDW01 (RS-232 interface with white color) AFLP-CDB01 (RS-232 interface with black color)	
OS: Windows® CE 5.0	AFLCF-12-LXPOS-CE-R21 (128MB CF Card)	AFLCF-15-LXPOS-CE-R21 (128MB CF Card)
OS: Windows® CE 6.0	AFLCF-12-LXPOS-CE060-R21 (128MB CF Card)	AFLCF-15-LXPOS-CE060-R21 (128MB CF Card)
OS: Windows® XPE	AFLCF-12-LXPOS-XPE-R21 (1GB CF Card)	AFLCF-15-LXPOS-XPE-R21 (1GB CF Card)